

878132

STAINLESS STEEL PAINTED FIXTURE AND OPALINE POLYCARBONATE DIFFUSER



Product data

Dimensions:	690X200X115
Code ELECTROCOD:	240202
Series:	RINO
Min order quantity:	1
EAN code:	8014950027323
Weight:	4,082 KG

Reference standards and guidelines

Reference Standards:	EN 60529: 1997 + A1: 2000 EN 60598-1: 2004 EN 60598-2-1: 1989-01
----------------------	---

Marks:

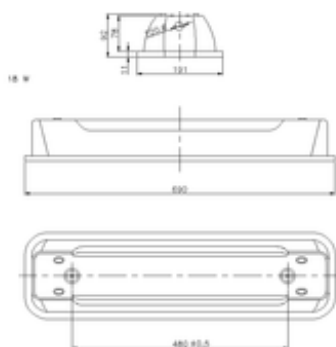


Technical data


Lamp power:	2x18 W
Frequency:	0/50/60Hz
Nominal Operating Voltage:	230V
Protection level:	IP65
Lampholder and lamps:	G13 T8
Customs code:	9405 40 95
Product Class:	LIGHTING FIXTURE
Directive:	2011/65/UE (RoHS) - 2012/19/UE (RAEE- WEEE) 2006/95/CE 2004/108/CE

Attachments

Dimensional (format .PNG):



DXF Drawing:

 [822101.dxf](#)