



Organic

Manel Llusçà

Surface-mounted wall light Organic E14 9W Black 771lm

Technical features

Luminaire total power: 9W

Lens / reflector angle: HORIZONTAL 117°

Structure material: Steel

Structure finish: Black

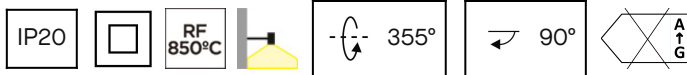
Max. size of light bulb: 120/80 mm

Recommended light bulb: E14

Voltage / frequency: 100-240V ~ 50/60Hz

Warranty: 5 years

Easily recyclable luminaire



Luminotechnic features

Lampholder	Quantity	Light source power (W)	Correlated Colour Temperature (CCT)
E14	1	Max. power 9W	-

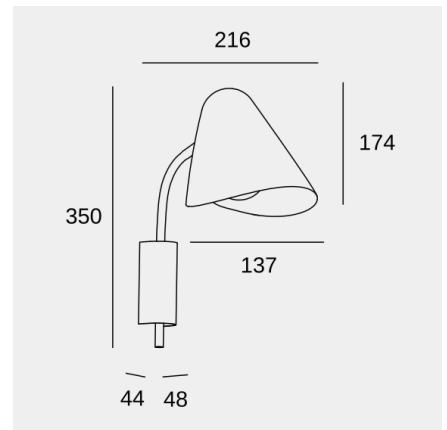


Image may not match reference. LedsC4 reserves the right to amend any of the product's components. The data related to flux, power and colour temperature may be subject to changes made by the manufacturer.



Organic

Manel Llusçà

Surface-mounted wall light Organic E14 9W Black 771lm

Logistics



x 4

Net weight (kg): 0.73

Packaged weight (kg): 1.73

Packaging: 235mm x 175mm x 410mm

Light application



Image may not match reference. LedsC4 reserves the right to amend any of the product's components. The data related to flux, power and colour temperature may be subject to changes made by the manufacturer.



Organic

Manel Llusçà

Surface-mounted wall light Organic E14 9W Black 771lm

Optional accessories



71-7660-00-00

Connection cable

Structure material: PVC
Dimensions: 35 x 2100 x 20
Net weight (kg): 0.16

Image may not match reference. LedsC4 reserves the right to amend any of the product's components. The data related to flux, power and colour temperature may be subject to changes made by the manufacturer.